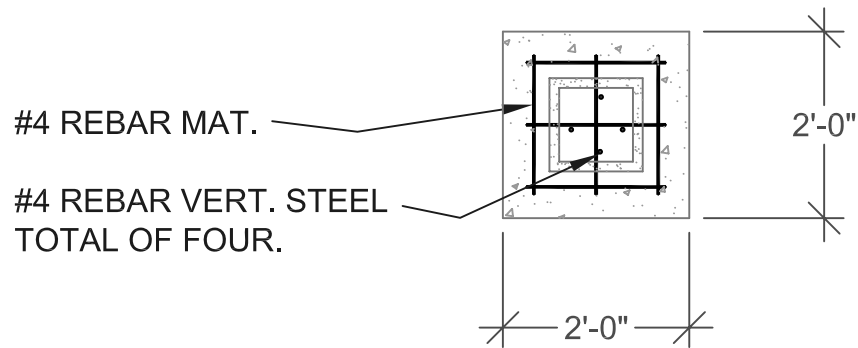


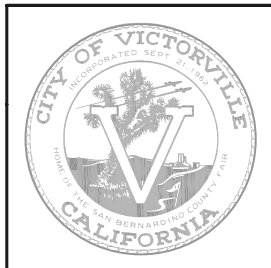
TOP VIEW OF FOOTING



NOTES:

1. SOLID GROUT COLUMN.
2. LAP REBAR MIN. OF 24"
FOR #4 REBAR.
3. MIN. 3" CLEARANCE FROM
REBAR TO EARTH.

ALL STEEL SHALL BE
A MINIMUM OF 3"
FROM EARTH



Development Department Building Division	
4' TO 6' HIGH SQUARE MASONRY COLUMN	
14343 Civic Drive Victorville, CA 92393	(760) 955-5100 Fax (760) 269-0072
09/19/2011	